

N/M-N/F GAS DISCHARGE COAXIAL SURGE PROTECTOR

TS-GD-3G-200 (DC-3G)

1. It adopts 'metal ceramics gas lightning tube' coaxial protection technology.

N type gas discharge surge protector (DC-3G) is in accordance with IEC60169-16: 1982 and IEC61643-11of class I.

2. Material and plating:

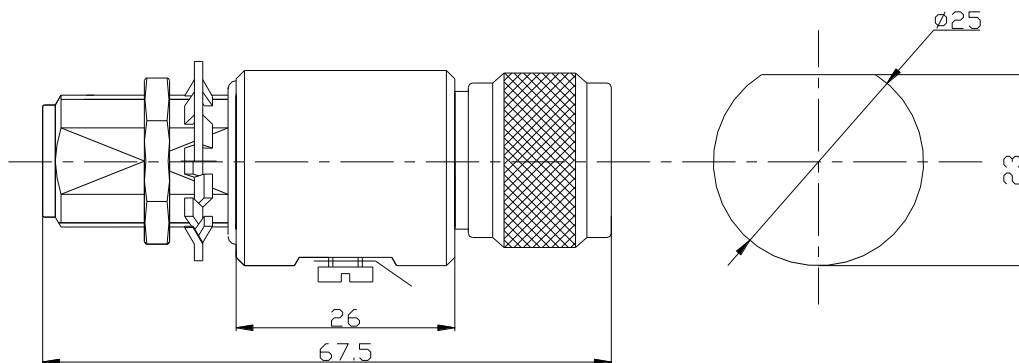
Name of part	Material	Plating	Thickness of plating
Shell & Nut	Brass (HPb59-1)	Alloy plated	≥2μ
Probe & Inserting hole	Bronze(QSn6.5-0.1)	Silver plated	≥2μ
Sealing	Silicone rubber		
Insulator	PTEF (SFX-1)		

Note: The thickness of the plating can be regulated according to customers.

3. Working environment: Working temperature: -40~+80°

Relative moisture : 90%~95% (Temperature: 40±2°C)

4. Product Drawing:



5. Characteristic:

Frequency range (MHz)	0~3000
Max, peak power (W)	200
Discharge capacity: (kA , 8/20μS wave)	20
Discharge voltage (V)	75/90/150/230/350
Impedance (Ω)	50
AC(Vmin) Pressure	2500V 1min No breakdown and no arcing phenomenon
Insulation resistance (MΩ)	> 5000
Insertion loss (dB)	< 0.50
V.S.W.R	< 1.20
Waterproof	IP67

When results tested by different analyzers are different should adopt the HP testing device as criteria.

N/M-N/F GAS DISCHARGE COAXIAL SURGE PROTECTOR TS-GD-3G-200 (DC-3G)



Tone Spread
Solutions for Wireless Signal

Telecommunication Technology & Engineering Accessories

Rev.V1.0

1. It adopts 'metal ceramics gas lightning tube' coaxial protection technology.

N type gas discharge surge protector (DC-3G) is in accordance with IEC60169-16: 1982 and IEC61643-11 of class I.

2. Material and plating:

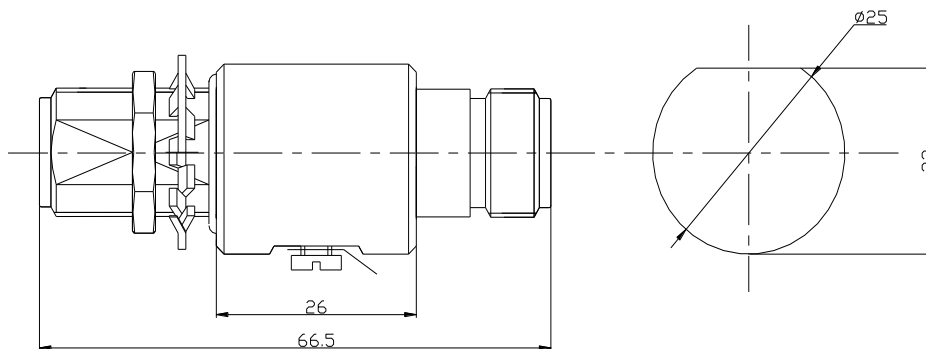
Name of part	Material	Plating	Thickness of plating
Shell & Nut	Brass (HPb59-1)	Alloy plated	$\geq 2\mu$
Probe & Inserting hole	Bronze(QSn6.5-0.1)	Silver plated	$\geq 2\mu$
Sealing	Silicone rubber		
Insulator	PTEF (SFX-1)		

Note: The thickness of the plating can be regulated according to customers.

3. Working environment: Working temperature: $-40\sim+80^{\circ}$

Relative moisture : $90\%\sim 95\%$ (Temperature: $40\pm 2^{\circ}\text{C}$)

4. Product Drawing:



5. Characteristic:

Frequency range (MHz)	0~3000
Max, peak power (W)	200
Discharge capacity: (kA , 8/20 μ S wave)	20
Discharge voltage (V)	75/90/150/230/350
Impedance (Ω)	50
AC(Vmin) Pressure	2500V 1min No breakdown and no arcing phenomenon
Insulation resistance (M Ω)	> 5000
Insertion loss (dB)	< 0.50
V.S.W.R	< 1.20
Waterproof	IP67

When results tested by different analyzers are different should adopt the HP testing device as criteria.