

698-3800MHz 700W POWER SPLITTER



Telecommunication Technology & Engineering Accessories

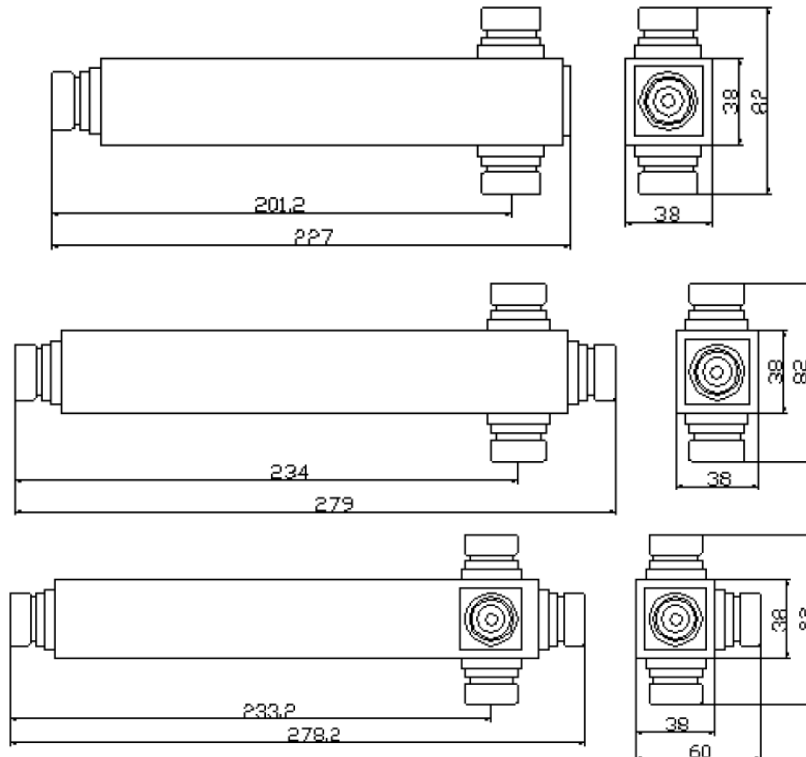
Rev.V1.2

Specifications of 7/16(DIN) Type High Power Air-line Dielectric Power Splitter (698-3800MHz):

Item	Specification		
Model	PS-738-700-2CDI	PS-738-700-3CDI	PS-738-700-4CDI
Frequency Range	698-3800 MHz		
Split	2	3	4
Split Loss	3 dB	4.8 dB	6 dB
VSWR	1.25	1.30	1.35
Insertion loss	0.25 dB	0.35 dB	0.45 dB
Intermodulation	-155dBc@2x43dBm*		
Power Rating	700 W		
Impedance	50 Ω		
Connector	7/16(DIN)/Female		
Temperature Range	-35 - 75 °C		
Applications	Indoor/Outdoor, IP65 ,RoHS Compliant		

* The PIM value is reflect @ 900MHz and 1800MHz

Product Drawing:



All specifications are subject to change without notice.

©2019 TONE SPREAD TECHNOLOGY CO., LTD. All Rights Reserved.

Website <http://www.tspd.com.tw>

ADD:11169 2F,No 141,Fu-Gang St. Taipei ,Taiwan

TEL:+886-2-28828979

FAX:+886-2-28829196

E-mail: sales@tspd.com.tw