

# 698-3800MHz LOW POWER SPLITTER



Telecommunication Technology & Engineering Accessories

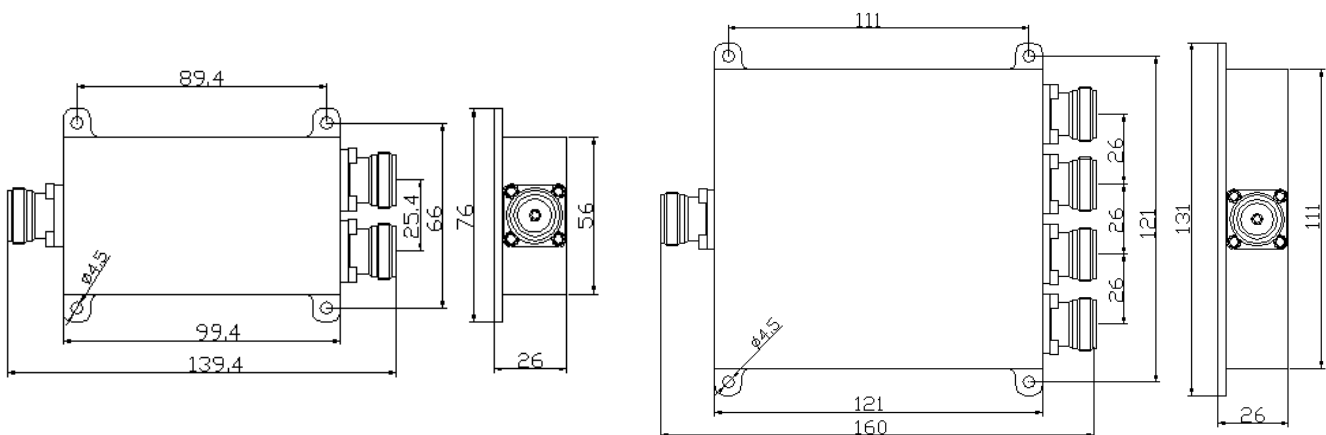
Rev.V1.2

宽频带微带功分器 Micro-Strip Power Splitter(698-3800MHz):

Item	2 Way Power Splitter	4 Way Power Splitter
Model	PS-738-50-2M43MDI	PS-738-50-4M43MDI
Frequency	698-3800MHz	
Insertion Loss (dB)	≤0.6	≤0.9
Split Loss (dB)	3	6
Isolation (dB)	≥20	≥18
VSWR	≤1.25	≤1.35
Impedance (Ω)	50	
Intermodulation	<-153dBc@2X43dBm (900/1800MHz) *	
Power(W)	50	
Connector	4.3-10/Female	
Temperature (°C)	-25~+85°C	
Color	Black or Customize	
Humidity	0%~100%	
Applications	Indoor/Outdoor, IP65,RoHS Compliant	

\* The PIM value is reflect @ 900MHz and 1800MHz

Product Drawing:



All specifications are subject to change without notice.

©2019 TONE SPREAD TECHNOLOGY CO., LTD. All Rights Reserved.

Website <http://www.tspd.com.tw>

ADD:11169 2F,No 141,Fu-Gang St. Taipei ,Taiwan

TEL:+886-2-28828979

FAX:+886-2-28829196

E-mail: [sales@tspd.com.tw](mailto:sales@tspd.com.tw)