

# 340-2700MHz DIN TYPE POWER SPLITTER



Telecommunication Technology & Engineering Accessories

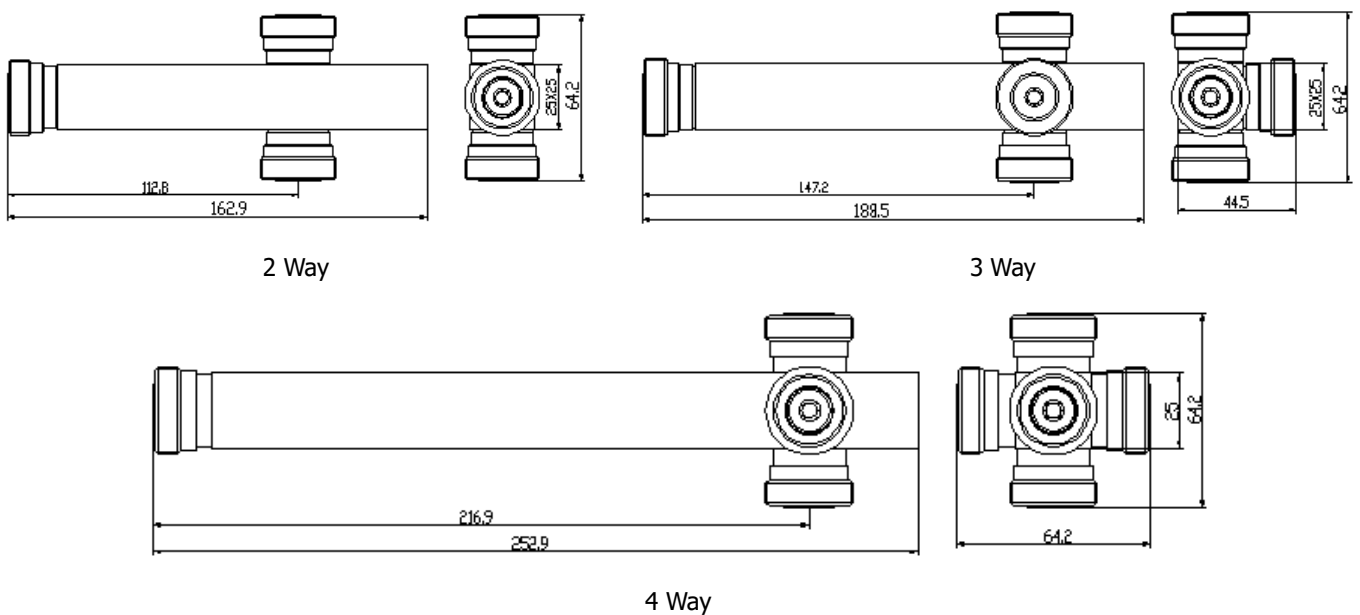
Rev.V1.2

Specifications of High Power 340-2700MHz 7/16(DIN) Type Power Splitter(Air-Line Dielectric):

Item		Specification		
Model		PS-327-300-2CDI	PS-327-300-3CDI	PS-327-300-4CDI
Frequency Range		340-2700MHz		
Split		2	3	4
Split Loss		3 dB	4.8 dB	6 dB
Insertion loss		0.30 dB	0.40 dB	0.50 dB
VSWR	380-2700 MHz	1.20	1.25	1.30
	340-380 MHz	1.30	1.30	1.30
Intermodulation		<-155dBc@2x43dBm( <-163dBc@2x43dBm Typical) *		
Power Rating		300 W		
Impedance		50 Ω		
Connector		7/16(DIN) Female		
Temperature Range		-35~85°C		
Applications		Indoor/Outdoor Use , IP65 , RoHS Compliant		
Remark		Power Splitter Install Bracket Include		

\* The PIM value is reflect @ 900MHz and 1800MHz

Product Drawing:



Note: The drawing only for reference, please make the object as the standard.



All specifications are subject to change without notice.

©2019 TONE SPREAD TECHNOLOGY CO., LTD. All Rights Reserved.

Website <http://www.tspd.com.tw>

ADD:11169 2F,No 141,Fu-Gang St. Taipei ,Taiwan

TEL:+886-2-28828979

FAX:+886-2-28829196

E-mail: sales@tspd.com.tw