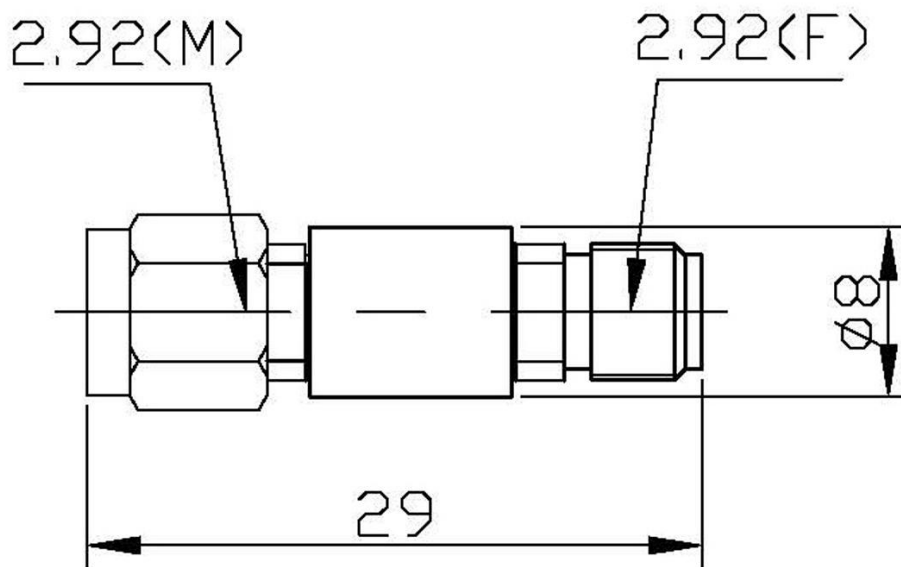


DC BLOCK_(DC-40G)

Specification of DC Block JTD-DCB-2.92-2W-40G (DC-40G):

Item	Specification
Model	JTD-DCB-2.92-2W-40G
Frequency Range	DC-40G
VSWR	≤1.5 (Max)
Insertion Loss	≤1.25dB
Maximum Voltage	50V
Impedance	50 Ω
Weight	15g
Connector Type	2.92mm(J-K) Male Input and Female Output
Size	Ø8×29mm
Operating Temperature	-35 ~ +85°C

Product Drawing:



Unit: mm

Dimension tolerance:±2%

Note: The picture and the specification are just for reference. Be subject to the actual products if anything different or updated, please pardon for without notice.

