

# 25W N TYPE FIXED ATTENUATOR (DC-6G)



**JIETONG DIGITAL**

*GET CONNECTED*

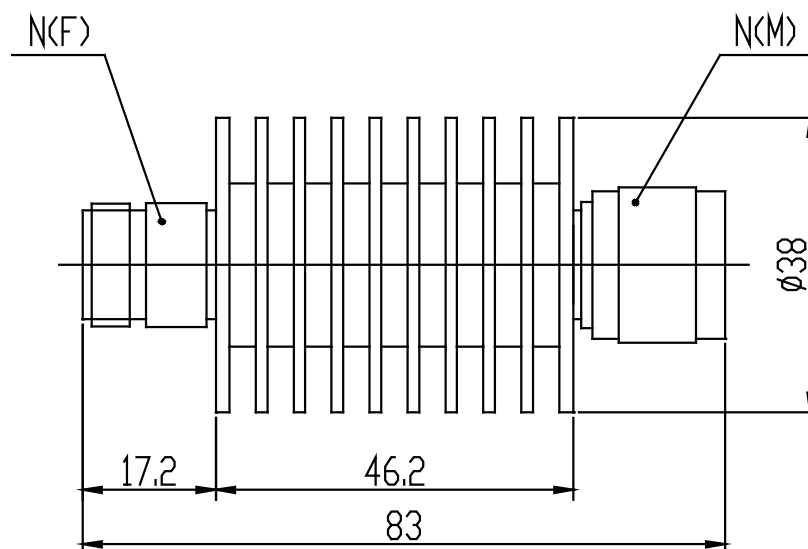
*Telecommunication Technology & Engineering Accessories*

Rev.V1.0

## Specification of 25W N Type Fixed Attenuator (DC-6G):

Item	Specification		
Model	JTD-ATT-25W-6GN/XX		
Frequency Range	DC-6G		
VSWR	≤1.20 (Max)		
Attenuation	6dB	10dB	20dB
Accuracy	±0.3dB	±0.3dB	±0.3dB
Power	25W		
Impedance	50 Ω		
Weight	140g		
Connector Type	N/Male to N/Female		
Size	Ø38×83mm		
Operating Temperature	-55 ~ +125°C		
Waterproofing	IP65		

### Product Drawing:



Note: The picture and the specification are just for reference. Be subject to the actual products if anything different or updated, please pardon for without notice.



*All specifications are subject to change without notice.*

©2021 Jietong Digital Technology Ltd. All Rights Reserved.

Website <http://www.jtd.com.tw>

Add:11169 2F,No 141,Fu-Gang St. Shilin Dist., Taipei City, Taiwan

Tel:+886-2-28828979

Fax:+886-2-28829196

E-Mail: [sales@jtd.com.tw](mailto:sales@jtd.com.tw)