

575-6000MHz 4.3/10 TYPE DIRECTIONAL COUPLER



Telecommunication Technology & Engineering Accessories

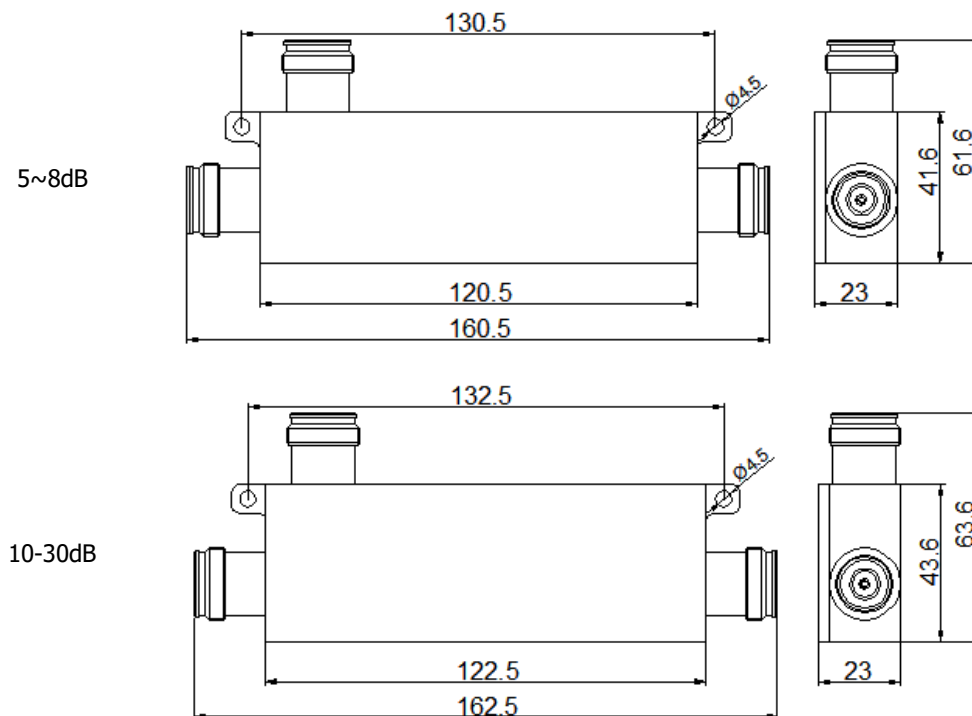
Rev.V1.2

4.3/10 Type Air Dielectric Directional Coupler (575-6000MHz):

Item		Specification								
Model		DC-560-200-XC43MDI								
Frequency Range		575-6000 MHz								
Coupling (dB)		5±1.1	6±1.1	7±1.2	8±1.2	10±1.2	13±1.3	15±1.35	20±1.4	30±2.0
Directivity (dB)	575-3800	20								18
	3800-6000	18								16
Insertion loss		2.5	1.9	1.7	1.2	0.9	0.6	0.5	0.3	0.3
VSWR		1.25 :1 (575-3800MHz) ; 1.30 :1 (3800-6000MHz)								
Intermodulation		-160 dBc@2x43dBm *								
Power Rating		200W								
Impedance		50(Ω)								
Connector		4.3-10/Female								
Temperature Range		-35 - +85(°C)								
Housing Finish Color		Black/Gray/ /White								
Applications		Indoor/Outdoor Use , IP65 , RoHS Compliant								

* The PIM value is reflect @ 900MHz and 1800MHz

Product Drawing:



All specifications are subject to change without notice.

©2019 TONE SPREAD TECHNOLOGY CO., LTD. All Rights Reserved.

Website <http://www.tspd.com.tw>

ADD:11169 2F,No 141,Fu-Gang St. Taipei ,Taiwan

TEL:+886-2-28828979

FAX:+886-2-28829196

E-mail: sales@tspd.com.tw